

INSTALLATION INSTRUCTIONS: 7" Headlights with LED Halos

PART #7210 H4 Bulbs

#7215 LED Bulbs

#7206 Relay Harness



865.938.6696 www.dufftuff.com

6609 Bronco Ln.

Knoxville, TN 37921

INSTRUCTIONS: Please read completely before beginning installation.

Notes: On most older vehicles, the power to the headlights is routed from the battery through the wiring harness to the headlight switch, then back out to the headlights. This long route from the battery to the headlights causes a voltage drop and heat buildup, resulting in dim headlights and failure of headlamp switches. The headlight relay upgrade harness was designed to improve voltage to the headlights by using better, newer, shorter heavy duty wires and relays, directly powered by the battery.

1/1 4/16

1. Disconnect Battery before starting. Tape posts to avoid accidental contact during install. Remove old headlight housings. Make sure to save your retainer ring for use on the new housings.

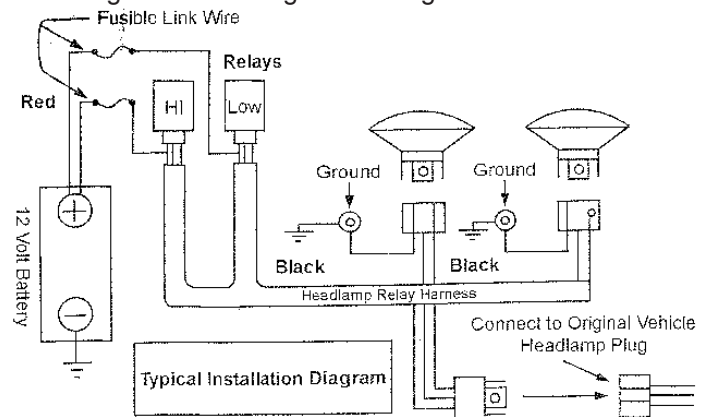
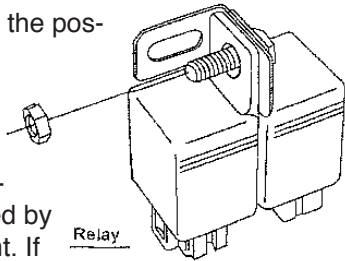
RELAY HARNESS: A2. If you are not installing the relay harness, skip to B2. Check the routing of the headlight relay harness. The two large ring terminals must reach the battery and the two relays need to be mounted at a convenient place on the fender well or radiator support. The rest of harness needs to be routed to the headlights.

A3. The headlight nearest to the relay is connected first. Unplug the original headlight plug and connect it to the mating connector from the new headlight relay harness. Connect the new headlight plug from the relay harness to the headlight bulb. Also ground the ring terminal from the headlight plug to an existing (or new) screw or bolt tightly on a clean metal surface that will make a good negative ground source.

A4. Connect the opposite headlight to the new relay harness and ground the ring terminal to a good clean ground. The remaining original headlight plug will not be used.

A5. Mount the relays as shown in drawing.

A6. Attach the ring terminals to the positive battery terminal. Note: red wires attached to the ring terminals are actually fusible links. These fusible links are a safety feature should the headlight relay harness get damaged by incorrect installation or accident. If the fusible links are "blown" (open circuit), they must be replaced with similar 30 amp replacements.



B2. If you upgraded to LED bulbs, replace the H4 bulbs that come standard in the housings with them now.

B3. Place new housings into the headlight buckets. The housings are directional, the top of the bulb is where the halo wires come out. Snake the cooling fins of the LED bulb through the back of the bucket.

B4. Tighten the retainer ring to secure the housing. Once the housings are installed, you will be ready to wire the halos.

HALO INSTALLATION:

Contents: Halo Rings, Drivers x2 (small black boxes), Bluetooth Controller (White Box)

1. This kit comes with an extension to extend the harness from one side to the control box. Depending on where you plan to mount the controller, you will have to use the extension to rear one side it simply plugs inline. Take into consideration that while the controller is waterproof, it needs to be out of direct contact with high pressure water. So, directly in the front of the grill or on the lower inner fenders is not recommended. Tucked up under the fender worked well for us. Be sure to keep the harness clear from moving parts or hot engine components.

2. The controller is prewired, just connect all the connectors and add power and ground to the terminals. Use the supplied ring terminals to connect to your power source.

3. The power supply is your choice, if you pick an accessory hot, the halos will come on when the ignition is on so you won't have to turn the halos on and off every time. If you prefer to be able to leave them on while the rig is off then connect straight to the battery which is great for car shows.

4. Download the app to control the halos to your smart phone. It is called Magic Light LED Bluetooth. Make sure your bluetooth is turned on. Every time the controller is powered up, it allows you to sync with it for the first 30 seconds. If you miss this window, you will have to turn off the power off and back on again. Once you have synced your phone, you won't have to sync again.

To sync, open the Magic Light Bluetooth app, power the bluetooth controller. Add a new device, once connected, you will be able to rename it to anything you want.

Our manufacturer carries a 5 year NO fuss NO hassle product replacement warranty. Coverage of our warranty pertains to any LED chip failure, and/or any internal failure, also any condensation on the inside of the light is covered as well.

LIMITED WARRANTY

James Duff Inc. warrants our products to the original purchaser to be free from defects in materials and workmanship. Warranty periods begin at the date of purchase and varies by product. Shocks have a limited lifetime warranty. Headers, Radiators and Suspension Products, Power Brake Boosters and Master Cylinders have a one year warranty. Adapters and soft goods such as vinyl and rubber products have a 90 day warranty. All warranties are to the original purchaser with proof of purchase only. Such obligations under this warranty shall be limited to the repair or replacement, at JDI's discretion, of any assembly or part which upon examination by JDI proves to be defective. Any costs of removal, installation, reinstallation or freight charges are expressly excluded from this warranty. This warranty covers only manufacturers defects, and does not cover product finish or damage resulting from abuse, misuse, negligence, racing, alteration, accident or damage in transit.

All returns must be pre-authorized by JDEI and accompanied with a Return Goods Authorization Number (RGA) and a dated proof of purchase. Returns must be made within 90 days of purchase, shipped prepaid, packaged in original cartons to prevent damage in shipment and sent to JDI, 6609 Bronco Ln., Knoxville, TN 37921 Returns without an RGA# will be refused.

This warranty is expressly in lieu of all other warranties, expressed or implied, including the implied warranties of merchantability and fitness for use. This warranty gives you specific legal rights including other rights that vary from state to state. Some states do not allow limitations on how long an implied warranty lasts, or do not allow the exclusion of limitation of incidental or consequential damages, so the above limitations and/or exclusions may not apply to you.